



ELKO AREA CHAMBER

ELKO ■ SPRING CREEK ■ LAMOILLE ■ CARLIN



THE VOICE OF BUSINESS

NOVEMBER 2022

Tristen Drew

1405 IDAHO STREET ELKO, NEVADA 89801 775.738.7135 WWW.ELKONEVADA.COM

Save the Date

Elko Area Chamber's

CHRISTMAS PARTY

December 15th • 6-9 PM

Northeastern Nevada Museum

THANK YOU TO OUR NEWSLETTER SPONSORS FOR YOUR COMMUNITY AND BUSINESS SUPPORT!



THE BUSINESS BEHIND YOUR BUSINESS

WELCOME NEW MEMBERS!

EXECUTIVE COMMITTEE

CHAIR

Casey Gallagher
Gallagher Ford

1ST VICE CHAIR

Tino Ayala
PlumbLine, Inc.

2ND VICE CHAIR

Randy Ridgway
Blach Distributing

TREASURER

Shirley Alen-Kellerman
RNDC

PAST CHAIR

Dr. Todd Wendell
*Ruby Mountain
Chiropractic*

BOARD OF DIRECTORS

Dr. Josh Byers

Ignite Life Chiropractic

Hayley Bammesberger

Indigo

Fallon Godwin-Butler

Maverick Casino & Hotel

Matt Miller

Kinross Bald Mountain

Katie Krenka

Everything Elko

Scott Reutner

Modern Concrete Inc.

Dr. Micah Williams

Total Eye Care

Todd Sorenson

Elko Federal Credit Union

Chris McAnany

Nevada Gold Mines

Shane Moss

Jerritt Canyon

Thunderbird Motel

Jyoti Kansagra (Owner)
345 Idaho St
Elko, NV 89801
775-738-7115

Christina Richardson Interiors

Christina Richardson (Owner)
Elko, NV 89801
775-401-4139

Honey Brie Charcuterie

Heather Gonzales (Owner)
303 3rd St
Elko, NV 89801
775-401-4069

Adobe Insurance Group

Sidney Wintermote (President)
380 Court St Ste. C
Elko, NV 89801
775-777-1133

Jerritt Canyon/ First Majestic

Brandie McDaniel
(Purchasing Manager)
Elko, NV 89801
775-738-5600

Edward Jones-Kaitlin McMullan

Kaitlin McMullan (Financial Advisor)
2213 N 5th St Ste A
Elko, NV 89801
775-738-8525

Oasis Carpet Cleaning

Terri & Russell Ferguson (Owners)
Spring Creek, NV 89815
775-934-3247

Liquid IV Lounge

Jennifer Roberson
875 Railroad St
Elko, NV 89801
775-299-4805

Ruby Mountain Ranch, LLC

Wes & Jenny Diquattro (Owners)
472 Meadow View Dr
Spring Creek, NV 89815
559-593-1800

Ducks Unlimited Elko Chapter

Leonard Zahrowski (President)
Elko, NV 89801
775-299-1918

7018 Brewery LLC

Amber Johnson (Owner)
401 Railroad St
Elko, NV 89801
775-777-7018

Impact Payments

Tyler Gunter (Payment Process
Consultant)
Elko, NV 89801
775-934-8217

Tri-Cities Equipment, Inc

Riaan Odendaal (President)
Reno, NV 89501
830-383-0185

Senior Solutions (Mike and Cristi Tisdale Agency)

Michael Tisdale (Health Advisor)
21 S 490 E
Smithfield, UT 84335
775-372-8809

ALL-EN BINS

Tyler Allen (President)
Spring Creek, NV 89815
775-401-4544

Nevada Reds

Dale Andrus (Owner)
410 Commercial St
Elko, NV 89801
775-777-7901

BUSINESS AFTER HOURS NOVEMBER

Businesses: If you are a member of the Chamber, you may enter our free raffle! Winners will receive a FREE Banner Ad for one month on our website.

Public: If this is your first time at Business After Hours you may enter our other free raffle! The winner this month will receive \$25 in Chamber Checks! Open to everyone who is new!



November 17

MedX AirOne
803 Murray Way
Elko, NV 89801
5:30-7:00 p.m.



2022 BUSINESS
AFTER HOURS

JANUARY 20
LeeAnne's Floral Designs

FEBRUARY 17
Coldwell Banker Excel

MARCH 17
Greater Nevada Credit
Union

APRIL 21
Granite Construction
Supply

MAY 19
Hampton Inn by Hilton

JUNE 16
In the Rough Wellness

JULY 21
Ignite Life Chiropractic

AUGUST 18
A and H
Insurance

SEPTEMBER 15
Lostra Inc

OCTOBER 20
The Stage Door

NOVEMBER 17
MedX AirOne

DECEMBER 15
Christmas Party



NEXT BUSINESS
BEFORE HOURS

NOVEMBER 10
Allusive Images

*Time
To
Relax*

THE ELKO AREA CHAMBER HAS
YOUR HOLIDAY SHOPPING COVERED!

CHAMBER CHECKS

GREAT STOCKING STUFFER • KEEP DOLLARS LOCAL
HUNDREDS OF BUSINESSES TO SHOP AT

1405 IDAHO STREET • 775-738-7135

THE VOICE OF BUSINESS

O What Fun... Christmas Events

Elko Area Chamber "Light Up the Night" Christmas
Tree Lighting

December 1st 5pm-7pm

Elko Area Chamber Christmas Party

December 15th 5:30pm

Elko County Fairgrounds Winter Wonderland

November 19th -20th 9am-4pm 775-738-3616

Elko Convention & Visitors Authority: Festival of Trees

November 30th- December 3rd 775-738-4091

Spring Creek Association Christmas at the Marina

December 2nd, 9th & 16th 6pm-8pm 775-753-6295

The Terrace at Ruby View Elko's Senior /Active
Lifestyle Ctr.: Christmas Bazaar

December 3rd & 4th 9am-5pm 775-738-3030

Khoury's Market Winter Fest

December 3rd 5pm-8pm 775-738-9248

Downtown Business Association Snowflake Festival

December 10th 12pm- 6pm 775-777-4048

Western Folklife Center Southwind Holiday Special

December 21st 6pm-8pm 775-738-7508

■■■■■■■■■■
2022 CHAMBER
EVENTS
■■■■■■■■■■

MAY 7 & 8
Elko Home Show

JUNE 18
Beer Festival

JULY 30
Sherman Dinner

DECEMBER 15
Christmas Party
■■■■■■■■■■



■ ■ ■ ■ ■ ■ ■ ■ ■ ■
**CHAMBER MEMBER
 BENEFITS**
 ■ ■ ■ ■ ■ ■ ■ ■ ■ ■

Networking

Business Contacts

Referrals

Targeted, Effective, and
 Affordable Advertising

Publicity

Professional Development
 & Training

Discounted Membership
 with NAE

Government Advocacy

Learning Opportunities

Programs & Workshops

Free Graphic Design

Free Webpage & Domain
 Name

Opportunities for Event
 Sponsorship

Chamber Business Directory

Chamber Checks

Ribbon Cuttings

Weekly Events Update

Business After Hours

Business Before Hours

Job Board

Calendar of Events

Printing Discounts

Meeting Room



Cross Fence and Supply is a local business built on honesty and integrity. We are dedicated to giving our customers the best pricing, product, and service possible. To us, our customers aren't just another person but more like family. We aren't interested in just making a buck, we want to know that our customers are happy and keep coming back. At the end of the day, it's all about supporting and helping each other that keeps our community strong. We really thank our community for all of their support!

Cross Fence and Supply carries quality hay, animal feeds, livestock salt, water troughs, livestock panels, livestock shelters, wire fencing supplies, continuous panels, heavy duty steel gates, Agriculture and reclamation seed, Vitalix livestock supplement tubs, Arrowquip chutes and livestock equipment, and so much more!



775-340-2258

775-385-0604
5819 JUSTIN DRIVE
ELKO, NV 89801



WHO IS VALKYRE POWDER COATING?

Owners Mark and Kelly Michelsen started Valkyre in Osino in December 2016. Since that time, they have been members of the Chamber and have been serving the Elko area.

Valkyre has done custom projects for clients all over the US. Specializing in powder coating and Cerakote work, they have

everything you need to finish that project. They have over 12,000 different colors and textures to choose from.

So, what can they coat? Anything, from Automotive, Marine, Aviation, yard art, signs, metal furniture, motorcycle frames, UTV parts, wheels, lawn mower parts, tumblers, cups, gun parts, etc. They even powder coat glass!

WHAT IS CURRENTLY HAPPENING?

Valkyre is expanding 36ft onto their shop. This expansion is dedicated to media blasting and will allow for quicker turnarounds!

They have ordered all new blasting equipment for their climate controlled expansion.

They have upgraded their air compressor to handle all of your projects.

They are able to now blast trailers, car frames, UTV frames, and multiple sets of wheels without having to worry about the weather.

THEY WOULD LOVE TO SERVE YOU!

☎ 775-385-0604

f [valkyrepowdercoating](#)

📷 @valkyrecoating

THE VOICE OF BUSINESS

NOVEMBER

S	M	T	W	TH	F	S
		1 Elko County School District College and Career Fair hsteel@ecsdnv.net	2	3	4	5 6th Annual Al Bernarda Cioppino Feed & Auction 775-738-2759
6 Daylight Savings Time Ends	7 Government Affairs Committee Meeting 12pm	8	9 Western Folklife Center Jam On! 775-738-7508	10 Exec. Committee Business Before Hours: Allusive Images 8am-9am VFW Auxillary 775-397-5878 Ambassador Meeting 12pm Horizon Hospice Volunteer Training 775-778-0612	11 Horizon Hospice Volunteer Training 775-778-0612	12 Veterans Ball elkoveteranscorps@yahoo.com Northeastern Nevada Museum Second Saturday 775-738-3418 Lamoille Women's Club Fall Craft Festival 775-753-7242 DBA Cozy Cocktail Walk 775-777-4048
13	14	15 Board Meeting	16 Western Folklife Center Southwind 775-738-7508 Elko County Community Development Open House 775-738-6816	17 INSERTS DUE Business After Hours: MedX/ AirOne 5:30-7pm Northeastern Nevada Museum Brown Bag History 775-738-3418	18 Silver Stage Players Whiskey Tasting 775-934-3721 Elko Hockey Association Open Skate 775-934-9644	19 Silver Stage Players Whiskey Tasting 775-934-3721 Elko County Fairgrounds Winter Wonderland 775-738-3616 Western Folklife Center Mic'd Up Live From Elko 775-738-7508 Elko Ducks Unlimited Banquet 775-934-0777
20 Elko County Fairgrounds Winter Wonderland 775-738-3616	21	22	23	24 THANKSGIVING CHAMBER CLOSED	25 CHAMBER CLOSED	26 Elko Hockey Association Penalty Box Shop 775-934-9644
27	28	29	30 Elko Convention & Visitors Authority Festival of Trees starts 775-738-4091			



ELKO AREA CHAMBER

ELKO ■ SPRING CREEK ■ LAMOILLE ■ CARLIN

1405 IDAHO STREET
ELKO, NEVADA 89801

BUSINESS AFTER HOURS THE STAGE DOOR



MISSION STATEMENT

The Elko Area Chamber promotes economic growth, opportunity, and diversity in service for our members. We are the business behind your business.



BUSINESS BEFORE HOURS HIGHLAND ESTATES

BUSINESS AFTER HOURS

NOVEMBER 17, 2022 5:30PM

MEDX/ AIRONE

803 MURRAY WAY

BUSINESS BEFORE HOURS

NOVEMBER 10, 2022 8AM

Allusive Images

1250 Lamoille Highway Ste 732





2023 ELECTION BALLOT-Board of Directors

Listed below are the nominations for the Elko Area Chamber 2023 Board of Directors.

Five Board positions are available. Complete information for these candidates can be found on the Chamber's website at www.elkonevada.com.

YOUR VOTE IS IMPORTANT!

Please vote for up to Five (5) candidates and return this ballot to the Chamber.

Fax submittals will be accepted at 738-7136 with your company name on it.

Completed ballots can be emailed to ceo@elkonevada.com

Ballots must be received in the Sherman Station by 4:00 p.m. Thursday, Nov 11th.

Elko Area Chamber, 1405 Idaho St., Elko, NV 89801 75-738-7135

ONLY FULL membership plans can vote and only **ONE** vote per member business.

- Ashley Dewey-Nevada State Bank
- Katie Krenka-Everything Elko
- Mackenna Velez-Southwest Gas
- Dr. Micah Williams-Total Eye Care
- Cheryl Henning-NextHome Infinity Realty
- Shirley Alen-Kellerman-Rural Nevada Development Corp.
- Shonilee Berg-Granite Construction Supply
- Joe Reasbeck-Savage Services
- Gina Cortez-TownePlace Suites by Marriott
- Joe Brown-Coldwell Banker Excel

Business Name _____

Contact Name _____



JOIN US FOR



Light up the Night

❄️ 2022 ELKO AREA CHAMBER TREE LIGHTING ❄️



THURSDAY
DECEMBER
1
1405 IDAHO ST.

FROM
5-7
TREE LIGHTING
AT 6 P.M



Free Santa Photos
Provided by Allusive Images!
1 4x6 Per Family

Free Hot Cocoa & Cookies



Performance
by EHS
Choraliers

Food Trucks will be Available
for Purchase

PRESENTED BY:



TOTAL EYECARE
Professional care your eyes deserve



modern concrete, inc.
remote ready mix specialist

Fall in love with Our Fall Collection



Call Today & Ask About Our Holiday Subscription Program, Perfect Gift for that Someone Special!



*Stop by our
Holiday
Open House*
Nov. 18th & 19th



Streamline cash flow and reduce costs with Impact Payments



WHY CHOOSE US

- Significant savings in processing costs
- We average 20% savings compared with other providers
- Cutting-edge equipment, hardware and software solutions
- Surcharging, digital invoicing, & ACH- electronic check services
- Online payments, electronic invoicing, & mobile payments to streamline your cashflow
- Same day deposits on daily sales
- Visa, MasterCard, Discover, & American Express and other major cards
- Online reporting tools to streamline managing your business cash flow and reconciliation
- PCI Compliance support, education and \$250,000 Data Breach Protection
- We guarantee our processing rates for the life of the account
- Flexible, month to month terms, with no long-term contract
- Unmatched support with concierge service and 24/7/365 on-going support

Here's What Our Customers
Are Saying About Us.

MetroLocks



I've been using Impact Payments for 6 years now and I'm extremely satisfied with the money I'm saving and the great customer service. My sales rep met with me, educated me on the industry and the process was quick and easy. We're a mobile locksmith service so we need to swipe credit cards using our phones. I found the app very reliable and easy to use. After using other services like Square and others I can say that they are the best. I highly recommend them.

Amir Ronen, owner

Government Municipality



Impact Payments has a great team that we love working with. They are fast, reliable and efficient with any questions or support needs that we have here at the city level. Our dedicated support rep also personally checks on us throughout the year to make sure that we are well taken care of and that their company continues to provide the level of service our customers need. We have worked with our personal rep for over 15 years and depend on his knowledge regarding merchant services and credit card processing. We love having a dedicated representative who takes care of us!

Lineman College



At Northwest Lineman College we have work with them for 15 years. I have personally been involved for nearly 9 of those years in my roles from Accounting Manager to Controller to my current position. My experience with their services has always been very positive. They always take extra time to understand our business and help us determine the best methods to process customer payments. They give us great customer service with the benefit of talking to someone who knows us and our account when we need help instead of some random customer service person. We also receive much better processing rates than we have ever found with other services. As our systems have changed over the years we have never missed a beat when it comes to our customer payment processing and that is because of Impact Payments deep knowledge of the industry and the products they have available. I hope this information is useful to you as you evaluate your options.

Lori, University Client

Canavan Accounting



After using square and PayPal for years, I moved to Impact Payment and they are saving my company and clients a ton of money on credit card processing fees! They were able to find me solutions that make sense for how my business operates, making processing payments easier on me, my staff and my customers. Lovely staff and wonderful service makes credit cards a breeze.

Kailey Canavan, owner, CPA

we are **HIRING!**



TECHNICIANS

PARTS/SALES

**SERVICE
PORTER**

**PARTS
DELIVERY
DRIVER**

**SALES
ASSOCIATE**

WHAT WE OFFER:

- Parts/Service - No Nights or Weekends
- No Long Commute
- Industry Leading Pay Plans
- Locally Owned for 37 Years
- Health/Dental/Vision/401K
- PTO
- Advancement Opportunities

**Apply Today In Person OR
(775) 738-3147**

CHECK OUT ALL OUR
OPEN POSITIONS:
gallagherford.com

LOCALLY OWNED | FAMILY OPERATED | COMMUNITY MINDED

Hello Autumn!

**HAVE YOU DONE YOUR
SEASONAL MAINTENANCE?**

**PREVENTATIVE MAINTENANCE
WILL SAVE YOU MONEY!**

- Save up to 20% on energy costs
- Increase system efficiency by up to 40%
- Prevent costly repairs
- Extend the life of equipment
- Maximize the comfort level of your home

Give us a call to schedule your Autumn Maintenance



PLUMBLINE

www.plumblineinc.com

775-753-7586





PRESENTS OUR
1 YEAR ANNIVERSARY
RENOVATION
CELEBRATION!

Friday, November 18th, 2022

10am-7pm

2503 Mountain City Hwy #130

Elko, NV 89801

PRIZES,
RAFFLE,
DISCOUNTS,
REFRESHMENTS!



FRESH
WINTER
GREENS
ARRIVING
SOON



Wreaths
Garlands
Porch Pot Kits
Custom Design

Open Black Friday
Weekend
or shop online
at 2wildpoppies.com

194 Two Bottle Bar Lane Spring Creek, NV 89815
775.753.5000

The non-profit world is complex

Don't let a missing piece keep you from making the connections your project needs to prosper



At Gavorsky Consulting, we work with rural non-profits, tribes, and local governments to develop, promote, and manage projects with a constant emphasis on self-sustainability at the community level. Located in Elko, our team has over 10 years' experience working across northeastern Nevada and beyond.



GRANTS, OUTREACH, AND CULTURAL PROJECTS
WHICH ARE SELF-SUSTAINING AT THE COMMUNITY LEVEL.

CONTACT US FOR A FREE CONSULTATION TODAY
775.239.1089
www.gavorsky.com

IGNITE LIFE'S 8TH ANNUAL **KICKS FOR KIDS**



NOVEMBER 1-30TH



GIVE A CHILD THE GIFT OF WARM FEET THIS WINTER!

PLEASE DONATE TODAY !

NEW OR GENTLY WORN BOOTS & SHOES

NEW DROP OFF LOCATIONS BELOW AT OUR POWER PARTNERS:

FOR MORE INFORMATION PLEASE CALL IGNITE LIFE CHIROPRACTIC 775-738-5406



705 RAILROAD ST



780 W SILVER ST
SUITE 112



GABRIELA'S CLOSET
1074 IDAHO ST #110



ST MARK LUTHERAN
CHURCH
277 WILLOW ST



321 5TH ST



905 RAILROAD ST
SUITE 201

**ALL DONATIONS ARE GIVEN TO COMMUNITIES IN SCHOOLS TO
DISTRIBUTE THROUGHOUT ELKO COUNTY**



ALL AMERICAN BLIND^{co}

Your Vision. Our Expertise.

**Largest Selection of
Window Coverings in Elko**

Blinds * Shades * Shutters

**Call today at
775-250-3720**



**25
MONTHS
PROMOTIONAL
FINANCING***

with your
Home Design credit card
\$5000 minimum purchase required.

AVAILABLE NOW

*Subject to credit approval. Minimum Monthly
Payments Required. See store for details.



Each office is
independently
owned and operated

NOW HIRING



REAL ESTATE AGENTS

-  Hard Worker
-  Self-Starter
-  High Energy
-  Multi-Tasker
-  Team Player

-  Lifelong Learner
-  Communicator
-  Excellence Driven
-  Networker
-  Fun Loving

NextHome Infinity Realty is looking for a fun and exciting "People Person" who wants to make a difference in the world, have fun at work, and help revolutionize an industry!

FOR MORE INFORMATION CONTACT CHERYL HENNING AT 775-738-4663

THE MAGIC OF

Christmas



THANK YOU
For Voting Our Store
"BEST JEWELRY STORE"
Once Again!

blohm  *Jewelers*
Downtown Elko | Diamonds & Fine Jewelry Since 1941

IJO | MASTER JEWELER
BRILLIANCE YOU DESERVE®

495 Idaho St. | 775.738.8466 | blohmjewelers.com



**HOME
AT LAST™**
BY NEVADA RURAL HOUSING

Mortgage Tax Credits from Home At Last™

make today's high rates feel like
yesterday's low rates!

What do today's rates feel like when Mortgage Tax Credits are applied to the monthly mortgage payment?*

\$345,000 Loan Amount	Rate	Payment
Today's sample rate	6.500%	\$ 2,181
What today's sample rate and payment feels like after Tax Credits are applied	4.800%	\$ 1,809

Calculate your potential savings at:

HALMCC.org

A Home At Last approved lender will determine eligibility for the MCC program. Not all applicants will qualify. Example savings figures are estimates and for illustrative purposes only. Adding the MCC to a mortgage does not change the mortgage rate and MCC tax credits do not have to be applied to monthly mortgage payments. Payment example is principal and interest on a \$345,000 mortgage amortized over 30 years. NRHA does not offer this information to solicit a mortgage application or as tax advice. All MCC holders or applicants should consult their own tax advisor or the Internal Revenue Service for guidance regarding the calculation of the tax credit benefit.



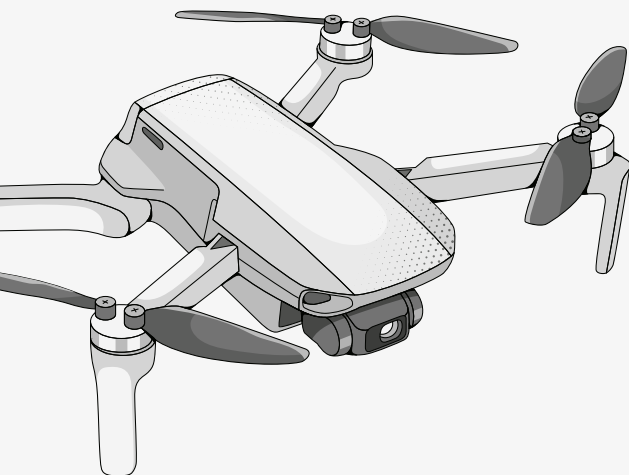


SKYFALL
MEDIA SOLUTIONS, LLC



GET YOUR LISTING NOTICED

- Ground and Aerial Photography
- Video Walk-Throughs
- Aerial Videography
- And More!



skyfallms.com

info@skyfallms.com

775-388-9103



NOVEMBER 1ST - 8TH..... CLOSED FOR REPAIRS

NOVEMBER 12TH & 13TH..... LWC FALL CRAFT FAIR
9 AM TO 4 PM (SATURDAY)
9 AM TO 3 PM (SUNDAY)
SPRING CREEK HIGH SCHOOL

NOVEMBER 19TH & 20TH..... WINTER WONDERLAND
9 AM TO 4 PM (BOTH DAYS)
ELKO COUNTY FAIRGROUNDS

NOVEMBER 25TH & 26TH..... DONUTS & DEALS
STAY TUNED FOR OUR GIVEAWAY WE WILL BE DOING ON THIS WEEKEND!
5 AM TO 1 PM (FRIDAY)
6 AM TO 1 PM (SATURDAY)
HOME DEPOT

November Fundraiser: Thanksgiving Dinner for Kids

The average Thanksgiving meal is between \$65 - \$80 with inflation. Nuts Under A Buck will be partnering with Thanksgiving Dinner for Kids in collecting grocery store gift cards and/or monetary donations. Those who make their donation at Nuts Under A Buck's trailer, will receive a cinnamon sugar donut. Donations must be received by November 15th to properly disburse throughout the community. Any local business that makes a donation will receive a live shout-out on Facebook.

Other drop-off locations:
Elko: Bonanza Produce & the Elko Area Chamber
Spring Creek: Family Dental Care & Old Timey Ice Cream

For more information, message Nuts Under A Buck through Facebook or Instagram or text/call Thanksgiving Dinner for Kids at 775-299-8283.

Cook's STEAKHOUSE & SALOON

Come Join Us

Call us for your next event



**OPEN
11-9 TUES-SAT
10-5 SUNDAYS**

**Weddings
Business
Luncheons
Christmas Parties
Private Events**

775-738-0882
245 3RD ST ELKO

November Specials



🍂 \$50 off NAD+
“Brain Boosting”
IV Infusions

\$30 off Pain and 🍂
Glory IV Infusions

1825 Pinion Rd Ste E

Elko, NV 89801

775-400-1660

